

MODELO C.C.

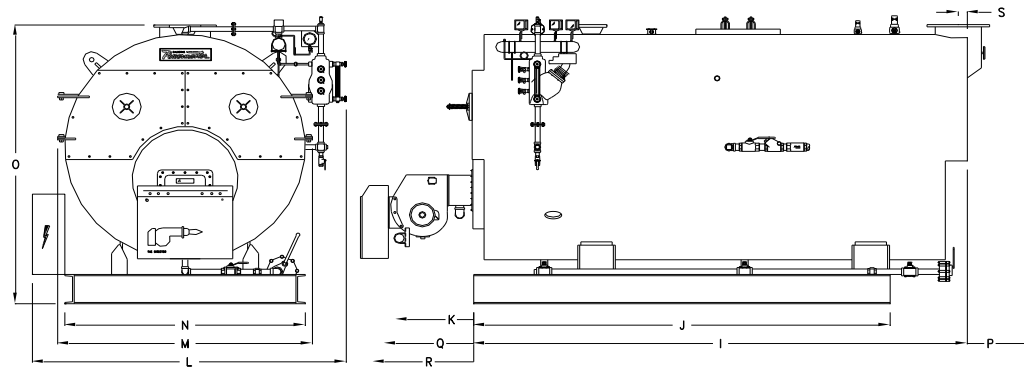
CAPACIDADES NOMINALES		80	100	125	150	200	250	300	350	400	500	600	700	800	900	1000	1100	1200	1300	1400	1500
De vapor desde y a 100 °C y 1 atm.	Kg/hr	1,252	1,565	1,956	2,347	3,130	3,912	4,695	5,477	6,260	7,825	9,389	10,954	12,519	14,084	15,649	17,214	18,779	20,344	21,909	23,474
De vapor desde y a 212 °F y 1 atm.	Lb/Hr	2,760	3,450	4,313	5,175	6,900	8,625	10,350	12,075	13,800	17,250	20,700	24,150	27,600	31,050	34,500	37,950	41,400	44,850	48,300	51,750
Superficie de calefacción	m ²	37.2	46.5	58.1	69.7	92.9	116.1	139.4	162.6	185.8	232.3	278.7	325.2	371.6	418.1	464.6	511.1	557.6	604.1	650.6	697.1
Superficie de calefacción	pie ²	400	500	625	750	1,000	1,250	1,500	1,750	2,000	2,500	3,000	3,500	3,792	4,032	4,160	4,277	4,400	4,522	4,644	4,766
Capacidad de salida	Mcal/hr	674.9	843.6	1,054.5	1,265.4	1,687.2	2,109.0	2,530.8	2,952.6	3,374.4	4,218.0	5,061.6	5,905.2	6,748.8	7,592.4	8,436.0	9,279.6	10,123.2	10,966.8	11,810.4	12,654.0

CONSUMO DE COMBUSTIBLE*

Acetate Diesel (9250 Kcal/Lt)	Lt/hr	78.0	97.5	121.9	146.3	195.1	243.9	292.6	341.4	390.2	487.7	585.2	682.8	780.3	877.9	975.4	1072.9	1170.5	1268.0	1365.6	1463.1
Gas Natural (8200 Kcal/m ³)	m ³ /hr	88.0	110.0	137.5	165.0	220.1	275.1	330.1	385.1	440.1	550.1	660.2	770.2	880.2	990.3	1,100.3	1,210.3	1,320.4	1,430.4	1,540.4	1,650.4
Gas LP (6350 Kcal/Lt)	Lt/hr	113.7	142.1	177.6	213.1	284.2	355.2	426.3	497.3	568.3	710.4	852.5	994.6	1,136.7	1,278.8	1,420.9	1,562.9	1,705.0	1,847.1	1,989.2	2,131.3
Gas LP (11000 Kcal/Kg)	Kg/hr	65.6	82.0	102.5	123.0	164.0	205.1	246.1	287.1	328.1	410.1	492.1	574.2	656.2	738.2	820.2	902.2	984.3	1,066.3	1,148.3	1,230.3
Combustóleo (10100 Kcal/Lt)	Lt/hr	71.5	89.3	111.7	134.0	178.7	223.3	268.0	312.7	357.3	446.7	536.0	625.3	714.7	804.0	893.3	982.6	1,072.0	1,161.3	1,250.6	1,340.0

PESOS APROXIMADOS

Caldera vacía	Kg	5,290	5,859	7,131	7,794	9,570	11,213	12,693	14,217	15,826	18,303	21,617	24,744	26,660	27,700	29,056	30,415	31,429	32,851	34,231	35,711
Caldera con agua	Kg	8,563	9,387	11,516	12,497	15,700	19,008	21,445	24,492	27,324	31,255	37,378	42,490	46,826	48,254	49,722	51,039	52,237	53,685	55,168	56,719



DIMENSIONES		80	100	125	150	200	250	300	350	400	500	600	700	800	900	1000	1100	1200	1300	1400	1500	
I Longitud del cuerpo	m	3.81	4.09	4.37	4.42	5.03	5.28	5.41	6.20	6.38	6.84	7.27	7.94	7.96	7.96	7.99	7.99	7.99	8.04	8.09	8.31	
J Longitud de la base	m	3.00	3.27	3.47	3.53	3.98	4.21	4.31	5.52	5.67	6.11	6.54	7.18	7.18	7.23	7.23	7.23	7.23	7.25	7.28	7.47	
K Plataforma del Quemador **	m	No aplica																				
L Ancho total	m	2.18	2.20	2.30	2.38	2.52	2.69	2.82	2.82	2.94	3.04	3.20	3.29	3.45	3.51	3.53	3.57	3.61	3.65	3.68	3.68	
M Ancho límite***	m	1.82	1.84	1.94	2.02	2.16	2.33	2.46	2.46	2.58	2.68	2.84	2.93	3.09	3.15	3.17	3.21	3.25	3.29	3.32	3.32	
N Ancho de la base	m	1.62	1.64	1.74	1.82	1.96	2.13	2.26	2.26	2.38	2.48	2.64	2.73	2.89	2.95	2.97	3.01	3.05	3.09	3.12	3.12	
O Altura total (Brida salida de vapor)	m	2.03	2.06	2.19	2.27	2.41	2.59	2.72	2.72	2.90	3.01	3.16	3.25	3.42	3.47	3.58	3.62	3.66	3.70	3.73	3.73	
P Dist. Min. de mant. Apertura tapa trasera	m	0.81	0.82	0.87	0.91	0.98	1.07	1.13	1.13	1.19	1.24	1.32	1.37	1.45	1.48	1.49	1.51	1.53	1.55	1.56	1.56	
Q Dist. Min. de mant. Apertura tapa delantera	m	0.81	0.82	0.87	0.91	0.98	1.07	1.13	1.13	1.19	1.24	1.32	1.37	1.45	1.48	1.49	1.51	1.53	1.55	1.56	1.56	
R Dist. Min. de mant. Cambio flux frente	m	3.13	3.41	3.64	3.69	4.27	4.45	4.55	5.34	5.39	5.83	6.26	6.79	6.79	6.79	6.79	6.79	6.79	6.79	6.74	6.88	
S Dist. del centro de la chimenea a la tapa trasera	m	0.10	0.10	0.08	0.08	0.08	0.08	0.08	0.08	0.08	0.08	0.05	0.05	0.05	0.02	0.01	0.01	0.00	0.00	0.01	0.02	

CONEXIONES

Diámetro chimenea	in	12	12	14	14	16	18	20	20	22	24	26	28	30	32	34	36	37	39	40	41
Diámetro salida general de vapor	in	6	8	8	8	10	10	12	12	12	12	12	12	12	12	12	12	12	12	14	14
Alimentación de Agua a Caldera	in	1 1/4	1 1/4	1 1/2	1 1/2	1 1/2	2	2	2	2	2	2	2	2.5 *****	2.5 *****	3	3	3	3	3	3
Purga de Fondo	in	1 1/4	1 1/4	1 1/2	1 1/2	1 1/2	1 1/2	1 1/2	1 1/2	2	2	2	2	2	2	2	2	2	2	2	2
Purga de columna de Nivel	in	3/4	3/4	3/4	3/4	3/4	3/4	3/4	3/4	3/4	3/4	3/4	3/4	3/4	3/4	3/4	3/4	3/4	3/4	3/4	3/4
Purga de Superficie	in	3/4	3/4	3/4	3/4	3/4	3/4	3/4	3/4	3/4	3/4	3/4	3/4	3/4	3/4	3/4	3/4	3/4	3/4	3/4	3/4

BASES DE CIMENTACIÓN

A Ancho Total de las Bases de cimentación	m	1.84	1.86	1.96	2.04	2.18	2.35	2.48	2.48	2.60	2.70	2.86	2.95	3.11	3.17	3.19	3.23	3.27	3.31	3.34	3.34
B Espacio entre Bases de cimentación	m	1.24	1.26	1.36	1.44	1.58	1.75	1.88	1.88	2.00	2.10	2.26	2.35	2.51	2.57	2.35	2.39	2.43	2.47	2.50	2.50
C Ancho de cada Base de cimentación	m	0.30	0.30	0.30	0.30	0.30	0.30	0.30	0.30	0.30	0.30	0.30	0.30	0.30	0.30	0.42	0.42	0.42	0.42	0.42	0.42
D Largo de las Bases de cimentación	m	3.20	3.47	3.67	3.73	4.18	4.41	4.51	5.72	5.87	6.31	6.74	7.38	7.38	7.43	7.43	7.43	7.43	7.45	7.48	7.67
E Altura de las Bases de cimentación	m	0.20	0.20	0.20	0.20	0.20	0.20	0.20	0.20	0.20	0.20	0.20	0.20	0.20	0.20	0.20	0.20	0.20	0.20	0.20	0.20