

MODELO C.C.

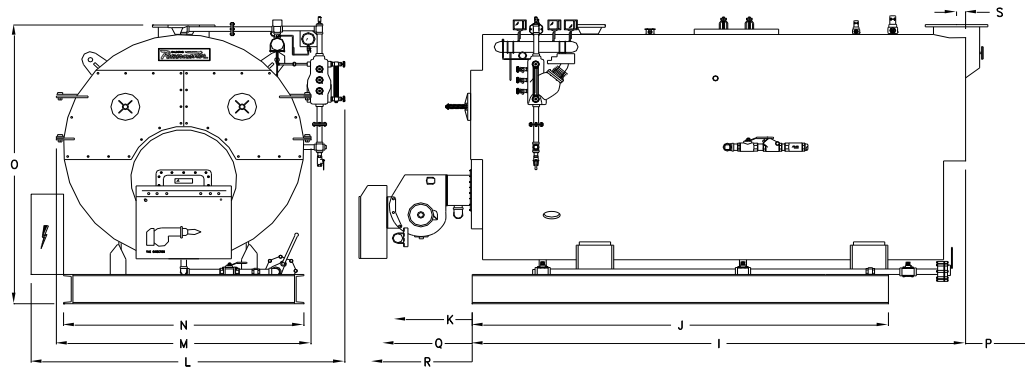
CAPACIDADES NOMINALES		80	100	125	150	200	250	300	350	400	500	600	700	800	900	1000	1100	1200	1300	1400	1500
De vapor desde y a 100 °C y 1 atm.	Kg/hr	1,252	1,565	1,956	2,347	3,130	3,912	4,695	5,477	6,260	7,825	9,389	10,954	12,519	14,084	15,649	17,214	18,779	20,344	21,909	23,474
De vapor desde y a 212 °F y 1 atm.	Lb/Hr	2,760	3,450	4,313	5,175	6,900	8,625	10,350	12,075	13,800	17,250	20,700	24,150	27,600	31,050	34,500	37,950	41,400	44,850	48,300	51,750
Superficie de calefacción	m <sup>2</sup>	37.2	46.5	58.1	69.7	92.9	116.1	139.4	162.6	185.8	232.3	278.7	325.2	371.6	418.0	464.4	510.8	557.2	603.6	650.0	696.4
Superficie de calefacción	pie <sup>2</sup>	400	500	625	750	1,000	1,250	1,500	1,750	2,000	2,500	3,000	3,500	3,792	4,032	4,160	4,477	4,800	5,122	5,474	5,895
Capacidad de salida	Mcal/hr	674.9	843.6	1,054.5	1,265.4	1,687.2	2,109.0	2,530.8	2,952.6	3,374.4	4,218.0	5,061.6	5,905.2	6,748.8	7,592.4	8,436.0	9,279.6	10,123.2	10,966.8	11,810.4	12,654.0

CONSUMO DE COMBUSTIBLE\*

Acetate Diesel ( 9250 Kcal/Lt )	Lt/hr	79.7	99.7	124.6	149.5	199.3	249.2	299.0	348.9	398.7	498.4	598.0	697.7	797.4	897.0	996.7	1096.4	1196.1	1295.7	1395.4	1495.1
Gas Natural ( 8200 Kcal/m <sup>3</sup> )	m <sup>3</sup> /hr	89.9	112.4	140.5	168.7	224.9	281.1	337.3	393.5	449.7	562.2	674.6	787.0	899.5	1,011.9	1,124.4	1,236.8	1,349.2	1,461.7	1,574.1	1,686.5
Gas LP ( 6350 Kcal/Lt )	Lt/hr	116.2	145.2	181.5	217.8	290.4	363.0	435.6	508.2	580.8	726.0	871.2	1,016.3	1,161.5	1,306.7	1,451.9	1,597.1	1,742.3	1,887.5	2,032.7	2,177.9
Gas LP (11000 Kcal/Kg )	Kg/hr	67.1	83.8	104.8	125.7	167.6	209.5	251.4	293.4	335.3	419.1	502.9	586.7	670.5	754.3	838.2	922.0	1,005.8	1,089.6	1,173.4	1,257.2
Combustóleo (10100 Kcal/Lt )	Lt/hr	73.0	91.3	114.1	136.9	182.6	228.2	273.9	319.5	365.1	456.4	547.7	639.0	730.3	821.6	912.8	1,004.1	1,095.4	1,186.7	1,278.0	1,369.3

PESOS APROXIMADOS

Caldera vacía	Kg	5,605	6,200	7,513	8,199	10,102	11,809	13,387	14,992	16,961	19,567	25,152	29,261	31,435	32,545	33,946	35,347	36,400	37,867	39,294	40,855
Caldera con agua	Kg	8,871	9,720	11,891	12,894	16,219	19,590	22,119	25,247	28,412	32,467	40,808	46,840	51,427	52,923	54,434	55,793	57,029	58,524	60,052	61,684



DIMENSIONES		80	100	125	150	200	250	300	350	400	500	600	700	800	900	1000	1100	1200	1300	1400	1500		
I Longitud del cuerpo	m	3.81	4.09	4.37	4.42	5.03	5.28	5.41	6.20	6.38	6.84	7.27	7.94	7.96	7.96	7.99	7.99	7.99	8.04	8.09	8.31		
J Longitud de la base	m	3.00	3.27	3.47	3.53	3.98	4.21	4.31	5.52	5.67	6.11	6.54	7.18	7.18	7.18	7.23	7.23	7.23	7.25	7.28	7.47		
K Plataforma del Quemador **	m	No aplica											1.10	1.10	1.10	1.52	1.52	1.52	1.52	2.00	2.00	2.00	2.00
L Ancho total	m	2.18	2.20	2.30	2.38	2.52	2.69	2.82	2.82	2.94	3.04	3.20	3.29	3.45	3.51	3.53	3.57	3.61	3.65	3.68	3.68		
M Ancho límite***	m	1.82	1.84	1.94	2.02	2.16	2.33	2.46	2.46	2.58	2.68	2.84	2.93	3.09	3.15	3.17	3.21	3.25	3.29	3.32	3.32		
N Ancho de la base	m	1.62	1.64	1.74	1.82	1.96	2.13	2.26	2.26	2.38	2.48	2.64	2.73	2.89	2.95	2.97	3.01	3.05	3.09	3.12	3.12		
O Altura total ( Brida salida de vapor )	m	2.03	2.06	2.19	2.27	2.41	2.59	2.72	2.72	2.90	3.01	3.16	3.25	3.42	3.47	3.58	3.62	3.66	3.70	3.73	3.73		
P Dist. Min. de mant. Apertura tapa trasera	m	0.81	0.82	0.87	0.91	0.98	1.07	1.13	1.13	1.19	1.24	1.32	1.37	1.45	1.48	1.49	1.51	1.53	1.55	1.56	1.56		
Q Dist. Min. de mant. Apertura tapa delantera	m	0.81	0.82	0.87	0.91	0.98	1.07	1.13	1.13	1.19	1.24	1.32	1.37	1.45	1.48	1.49	1.51	1.53	1.55	1.56	1.56		
R Dist. Min. de mant. Cambio flux frente	m	3.13	3.41	3.64	3.69	4.27	4.45	4.55	5.34	5.39	5.83	6.26	6.79	6.79	6.79	6.79	6.79	6.79	6.79	6.74	6.88		
S Dist. del centro de la chimenea a la tapa trasera	m	0.10	0.10	0.08	0.08	0.08	0.08	0.08	0.08	0.08	0.08	0.05	0.05	0.05	0.02	0.01	0.01	0.00	0.00	0.01	0.02		

CONEXIONES

Diámetro chimenea	in	12	12	14	14	16	18	20	20	22	24	26	28	30	32	34	36	37	39	40	41
Diámetro salida general de vapor	in	3	3	4	4	4	6	6	6	6	8	8	8	8	10	10	10	10	12	12	12
Alimentación de Agua a Caldera	in	1 1/4	1 1/4	1 1/2	1 1/2	1 1/2	2	2	2	2	2	2	2	2.5 *****	2.5 *****	3	3	3	3	3	3
Purga de Fondo	in	1 1/4	1 1/4	1 1/2	1 1/2	1 1/2	1 1/2	1 1/2	1 1/2	2	2	2	2	2	2	2	2	2	2	2	2
Purga de columna de Nivel	in	3/4	3/4	3/4	3/4	3/4	3/4	3/4	3/4	3/4	3/4	3/4	3/4	3/4	3/4	3/4	3/4	3/4	3/4	3/4	3/4
Purga de Superficie	in	3/4	3/4	3/4	3/4	3/4	3/4	3/4	3/4	3/4	3/4	3/4	3/4	3/4	3/4	3/4	3/4	3/4	3/4	3/4	3/4

BASES DE CIMENTACIÓN

A Ancho Total de las Bases de cimentación	m	1.84	1.86	1.96	2.04	2.18	2.35	2.48	2.48	2.60	2.70	2.86	2.95	3.11	3.17	3.19	3.23	3.27	3.31	3.34	3.34
B Espacio entre Bases de cimentación	m	1.24	1.26	1.36	1.44	1.58	1.75	1.88	1.88	2.00	2.10	2.26	2.35	2.51	2.57	2.35	2.39	2.43	2.47	2.50	2.50
C Ancho de cada Base de cimentación	m	0.30	0.30	0.30	0.30	0.30	0.30	0.30	0.30	0.30	0.30	0.30	0.30	0.30	0.30	0.42	0.42	0.42	0.42	0.42	0.42
D Largo de las Bases de cimentación	m	3.20	3.47	3.67	3.73	4.18	4.41	4.51	5.72	5.87	6.31	6.74	7.38	7.38	7.38	7.43	7.43	7.43	7.45	7.48	7.67
E Altura de las Bases de cimentación	m	0.20	0.20	0.20	0.20	0.20	0.20	0.20	0.20	0.20	0.20	0.20	0.20	0.20	0.20	0.20	0.20	0.20	0.20	0.20	0.20