

MODELO C.C.

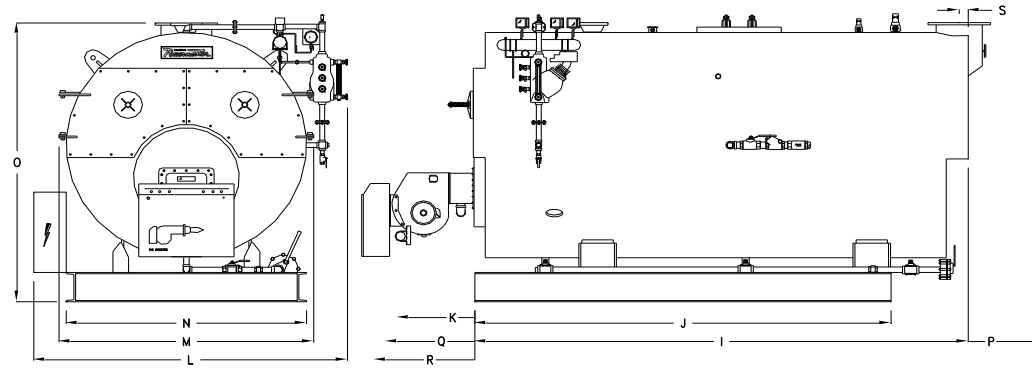
CAPACIDADES NOMINALES		80	100	125	150	200	250	300	350	400	500	600	700	800	900	1000	1100	1200	1300	1400	1500
De vapor desde y a 100 °C y 1 atm.	Kg/hr	1,252	1,565	1,956	2,347	3,130	3,912	4,695	5,477	6,260	7,825	9,389	10,954	12,519	14,084	15,649	17,214	18,779	20,344	21,909	23,474
De vapor desde y a 212 °F y 1 atm.	Lb/Hr	2,760	3,450	4,313	5,175	6,900	8,625	10,350	12,075	13,800	17,250	20,700	24,150	27,600	31,050	34,500	37,950	41,400	44,850	48,300	51,750
Superficie de calefacción	m ²	37.2	46.5	58.1	69.7	92.9	116.1	139.4	162.6	185.8	232.3	278.7	325.2	371.6	418.0	464.4	510.8	557.2	603.6	650.0	696.4
Superficie de calefacción	pie ²	400	500	625	750	1,000	1,250	1,500	1,750	2,000	2,500	3,000	3,500	3,792	4,032	4,160	4,477	4,800	5,122	5,474	5,895
Capacidad de salida	Mcal/hr	674.9	843.6	1,054.5	1,265.4	1,687.2	2,109.0	2,530.8	2,952.6	3,374.4	4,218.0	5,061.6	5,905.2	6,748.8	7,592.4	8,436.0	9,279.6	10,123.2	10,966.8	11,810.4	12,654.0

CONSUMO DE COMBUSTIBLE*

Acetate Diesel (9250 Kcal/Lt)	Lt/hr	81.1	101.3	126.7	152.0	202.7	253.3	304.0	354.7	405.3	506.7	608.0	709.3	810.7	912.0	1013.3	1114.7	1216.0	1317.3	1418.7	1520.0
Gas Natural (8200 Kcal/m ³)	m ³ /hr	91.4	114.3	142.9	171.5	228.6	285.8	342.9	400.1	457.2	571.5	685.9	800.2	914.5	1,028.8	1,143.1	1,257.4	1,371.7	1,486.0	1,600.3	1,714.6
Gas LP (6350 Kcal/Lt)	Lt/hr	118.1	147.6	184.5	221.4	295.2	369.0	442.8	516.6	590.4	738.1	885.7	1,033.3	1,180.9	1,328.5	1,476.1	1,623.7	1,771.3	1,919.0	2,066.6	2,214.2
Gas LP (11000 Kcal/Kg)	Kg/hr	68.2	85.2	106.5	127.8	170.4	213.0	255.6	298.2	340.8	426.1	511.3	596.5	681.7	766.9	852.1	937.3	1,022.5	1,107.8	1,193.0	1,278.2
Combustóleo (10100 Kcal/Lt)	Lt/hr	74.2	92.8	116.0	139.2	185.6	232.0	278.4	324.8	371.2	464.0	556.8	649.6	742.4	835.2	928.0	1,020.9	1,113.7	1,206.5	1,299.3	1,392.1

PESOS APROXIMADOS

Caldera vacía	Kg	6,073	6,698	8,428	9,183	11,523	14,030	15,262	17,120	19,396	22,609	26,902	31,793	35,189	36,363	37,873	39,229	40,312	41,816	43,279	44,904
Caldera con agua	Kg	9,335	10,214	12,799	13,870	17,610	21,761	23,944	27,317	30,772	35,393	42,476	49,230	55,019	56,577	58,196	59,510	60,776	62,307	63,871	65,566



DIMENSIONES		80	100	125	150	200	250	300	350	400	500	600	700	800	900	1000	1100	1200	1300	1400	1500	
I Longitud del cuerpo	m	3.81	4.09	4.37	4.42	5.03	5.28	5.41	6.20	6.38	6.84	7.27	7.94	7.96	7.96	7.96	7.99	7.99	8.04	8.09	8.31	
J Longitud de la base	m	3.00	3.27	3.47	3.53	3.98	4.21	4.31	5.52	5.67	6.11	6.54	7.18	7.18	7.18	7.23	7.23	7.23	7.25	7.28	7.47	
K Plataforma del Quemador **	m	No aplica																				
L Ancho total	m	2.18	2.20	2.30	2.38	2.52	2.69	2.82	2.82	2.94	3.04	3.20	3.29	3.45	3.51	3.53	3.57	3.61	3.65	3.68	3.68	
M Ancho límite***	m	1.82	1.84	1.94	2.02	2.16	2.33	2.46	2.46	2.58	2.68	2.84	2.93	3.09	3.15	3.17	3.21	3.25	3.29	3.32	3.32	
N Ancho de la base	m	1.62	1.64	1.74	1.82	1.96	2.13	2.26	2.26	2.38	2.48	2.64	2.73	2.89	2.95	2.97	3.01	3.05	3.09	3.12	3.12	
O Altura total (Brida salida de vapor)	m	2.03	2.06	2.19	2.27	2.41	2.59	2.72	2.72	2.90	3.01	3.16	3.25	3.42	3.47	3.58	3.62	3.66	3.70	3.73	3.73	
P Dist. Min. de mant. Apertura tapa trasera	m	0.81	0.82	0.87	0.91	0.98	1.07	1.13	1.13	1.19	1.24	1.32	1.37	1.45	1.48	1.49	1.51	1.53	1.55	1.56	1.56	
Q Dist. Min. de mant. Apertura tapa delantera	m	0.81	0.82	0.87	0.91	0.98	1.07	1.13	1.13	1.19	1.24	1.32	1.37	1.45	1.48	1.49	1.51	1.53	1.55	1.56	1.56	
R Dist. Min. de mant. Cambio flux frente	m	3.13	3.41	3.64	3.69	4.27	4.45	4.55	5.34	5.39	5.83	6.26	6.79	6.79	6.79	6.79	6.79	6.79	6.79	6.74	6.88	
S Dist. del centro de la chimenea a la tapa trasera	m	0.10	0.10	0.08	0.08	0.08	0.08	0.08	0.08	0.08	0.08	0.05	0.05	0.05	0.02	0.01	0.01	0.00	0.00	0.01	0.02	

CONEXIONES

Diámetro chimenea	in	12	12	14	14	16	18	20	20	22	24	26	28	30	32	34	36	37	39	40	41
Diámetro salida general de vapor	in	3	3	4	4	4	6	6	6	6	8	8	8	8	10	10	10	10	12	12	12
Alimentación de Agua a Caldera	in	1 1/4	1 1/4	1 1/2	1 1/2	1 1/2	2	2	2	2	2	2	2	2.5 *****	2.5 *****	3	3	3	3	3	3
Purga de Fondo	in	1 1/4	1 1/4	1 1/2	1 1/2	1 1/2	1 1/2	1 1/2	1 1/2	2	2	2	2	2	2	2	2	2	2	2	2
Purga de columna de Nivel	in	3/4	3/4	3/4	3/4	3/4	3/4	3/4	3/4	3/4	3/4	3/4	3/4	3/4	3/4	3/4	3/4	3/4	3/4	3/4	3/4
Purga de Superficie	in	3/4	3/4	3/4	3/4	3/4	3/4	3/4	3/4	3/4	3/4	3/4	3/4	3/4	3/4	3/4	3/4	3/4	3/4	3/4	3/4

BASES DE CIMENTACIÓN

A Ancho Total de las Bases de cimentación	m	1.84	1.86	1.96	2.04	2.18	2.35	2.48	2.48	2.60	2.70	2.86	2.95	3.11	3.17	3.19	3.23	3.27	3.31	3.34	3.34
B Espacio entre Bases de cimentación	m	1.24	1.26	1.36	1.44	1.58	1.75	1.88	1.88	2.00	2.10	2.26	2.35	2.51	2.57	2.35	2.39	2.43	2.47	2.50	2.50
C Ancho de cada Base de cimentación	m	0.30	0.30	0.30	0.30	0.30	0.30	0.30	0.30	0.30	0.30	0.30	0.30	0.30	0.30	0.42	0.42	0.42	0.42	0.42	0.42
D Largo de las Bases de cimentación	m	3.20	3.47	3.67	3.73	4.18	4.41	4.51	5.72	5.87	6.31	6.74	7.38	7.38	7.38	7.43	7.43	7.43	7.45	7.48	7.67
E Altura de las Bases de cimentación	m	0.20	0.20	0.20	0.20	0.20	0.20	0.20	0.20	0.20	0.20	0.20	0.20	0.20	0.20	0.20	0.20	0.20	0.20	0.20	0.20