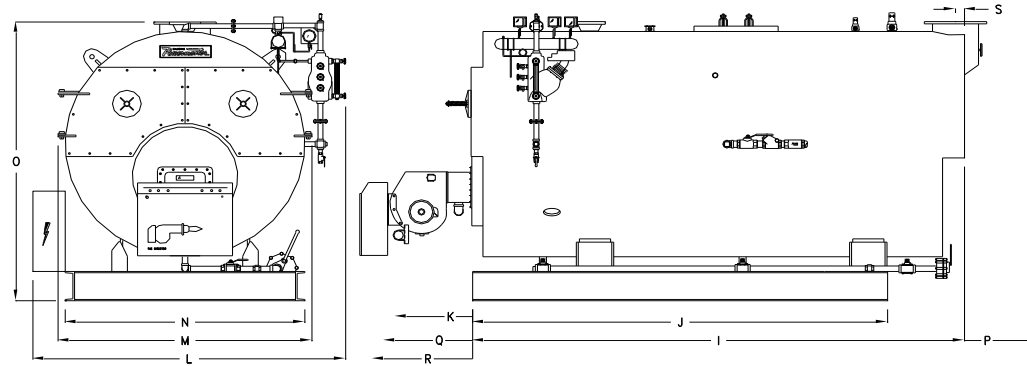


MODELO C.C.

CAPACIDADES NOMINALES		80	100	125	150	200	250	300	350	400	500	600	700	800	900	1000	1100	1200	1300	1400	1500
De vapor desde y a 100 °C y 1 atm.	Kg/hr	1,252	1,565	1,956	2,347	3,130	3,912	4,695	5,477	6,260	7,825	9,389	10,954	12,519	14,084	15,649	17,214	18,779	20,344	21,909	23,474
De vapor desde y a 212 °F y 1 atm.	Lb/Hr	2,760	3,450	4,313	5,175	6,900	8,625	10,350	12,075	13,800	17,250	20,700	24,150	27,600	31,050	34,500	37,950	41,400	44,850	48,300	51,750
Superficie de calefacción	m ²	37.2	46.5	58.1	69.7	92.9	116.1	139.4	162.6	185.8	232.3	278.7	325.2	371.6	418.1	464.5	511.0	557.4	603.9	650.3	696.8
Superficie de calefacción	pie ²	400	500	625	750	1,000	1,250	1,500	1,750	2,000	2,500	3,000	3,500	3,792	4,032	4,160	4,477	4,800	5,122	5,474	5,895
Capacidad de salida	Mcal/hr	674.9	843.6	1,054.5	1,265.4	1,687.2	2,109.0	2,530.8	2,952.6	3,374.4	4,218.0	5,061.6	5,905.2	6,748.8	7,592.4	8,436.0	9,279.6	10,123.2	10,966.8	11,810.4	12,654.0

CONSUMO DE COMBUSTIBLE*		80	100	125	150	200	250	300	350	400	500	600	700	800	900	1000	1100	1200	1300	1400	1500
Acetate Diesel (9250 Kcal/Lt)	Lt/hr	82.0	102.5	128.1	153.7	204.9	256.2	307.4	358.7	409.9	512.4	614.8	717.3	819.8	922.2	1024.7	1127.2	1229.7	1332.1	1434.6	1537.1
Gas Natural (8200 Kcal/m ³)	m ³ /hr	92.5	115.6	144.5	173.4	231.2	289.0	346.8	404.6	462.4	578.0	693.6	809.2	924.7	1,040.3	1,155.9	1,271.5	1,387.1	1,502.7	1,618.3	1,733.9
Gas LP (6350 Kcal/Lt)	Lt/hr	119.4	149.3	186.6	223.9	298.5	373.2	447.8	522.4	597.1	746.4	895.6	1,044.9	1,194.2	1,343.4	1,492.7	1,642.0	1,791.2	1,940.5	2,089.8	2,239.1
Gas LP (11000 Kcal/Kg)	Kg/hr	68.9	86.2	107.7	129.3	172.3	215.4	258.5	301.6	344.7	430.8	517.0	603.2	689.4	775.5	861.7	947.9	1,034.0	1,120.2	1,206.4	1,292.5
Combustóleo (10100 Kcal/Lt)	Lt/hr	75.1	93.8	117.3	140.8	187.7	234.6	281.5	328.5	375.4	469.2	563.1	656.9	750.8	844.6	938.5	1,032.3	1,126.2	1,220.0	1,313.9	1,407.7

PESOS APROXIMADOS		80	100	125	150	200	250	300	350	400	500	600	700	800	900	1000	1100	1200	1300	1400	1500
Caldera vacía	Kg	6,284	7,056	8,469	9,557	12,000	14,556	16,939	19,041	21,696	24,867	31,105	35,949	39,497	40,736	42,306	43,685	44,802	48,510	50,049	51,802
Caldera con agua	Kg	9,527	10,542	12,809	14,212	18,045	22,241	25,561	29,170	32,981	37,579	46,525	53,261	59,118	60,739	62,416	63,753	65,053	68,787	70,428	72,250



DIMENSIONES		80	100	125	150	200	250	300	350	400	500	600	700	800	900	1000	1100	1200	1300	1400	1500
I Longitud del cuerpo	m	3.81	4.09	4.37	4.42	5.03	5.28	5.41	6.20	6.38	6.84	7.27	7.94	7.96	7.96	7.96	7.99	7.99	8.04	8.09	8.31
J Longitud de la base	m	3.00	3.27	3.47	3.53	3.98	4.21	4.31	5.52	5.67	6.11	6.54	7.18	7.18	7.18	7.23	7.23	7.23	7.25	7.28	7.47
K Plataforma del Quemador **	m	No aplica																			
L Ancho total	m	2.18	2.20	2.30	2.38	2.52	2.69	2.82	2.82	2.94	3.04	3.20	3.29	3.45	3.51	3.53	3.57	3.61	3.65	3.68	3.68
M Ancho límite***	m	1.82	1.84	1.94	2.02	2.16	2.33	2.46	2.46	2.58	2.68	2.84	2.93	3.09	3.15	3.17	3.21	3.25	3.29	3.32	3.32
N Ancho de la base	m	1.62	1.64	1.74	1.82	1.96	2.13	2.26	2.26	2.38	2.48	2.64	2.73	2.89	2.95	2.97	3.01	3.05	3.09	3.12	3.12
O Altura total (Brida salida de vapor)	m	2.03	2.06	2.19	2.27	2.41	2.59	2.72	2.72	2.90	3.01	3.16	3.25	3.42	3.47	3.58	3.62	3.66	3.70	3.73	3.73
P Dist. Min. de mant. Apertura tapa trasera	m	0.81	0.82	0.87	0.91	0.98	1.07	1.13	1.13	1.19	1.24	1.32	1.37	1.45	1.48	1.49	1.51	1.53	1.55	1.56	1.56
Q Dist. Min. de mant. Apertura tapa delantera	m	0.81	0.82	0.87	0.91	0.98	1.07	1.13	1.13	1.19	1.24	1.32	1.37	1.45	1.48	1.49	1.51	1.53	1.55	1.56	1.56
R Dist. Min. de mant. Cambio flux frente	m	3.13	3.41	3.64	3.69	4.27	4.45	4.55	5.34	5.39	5.83	6.26	6.79	6.79	6.79	6.79	6.79	6.79	6.77	6.74	6.88
S Dist. del centro de la chimenea a la tapa trasera	m	0.10	0.10	0.08	0.08	0.08	0.08	0.08	0.08	0.08	0.08	0.05	0.05	0.05	0.02	0.01	0.01	0.00	0.00	0.01	0.02

CONEXIONES		80	100	125	150	200	250	300	350	400	500	600	700	800	900	1000	1100	1200	1300	1400	1500
Diámetro chimenea	in	12	12	14	14	16	18	20	20	22	24	26	28	30	32	34	36	37	39	40	41
Diámetro salida general de vapor	in	2	2 1/2	3	3	4	4	4	4	6	6	6	6	6	8	8	8	8	10	10	10
Alimentación de Agua a Caldera	in	1 1/4	1 1/4	1 1/2	1 1/2	1 1/2	2	2	2	2	2	2	2	2.5 *****	2.5 *****	3	3	3	3	3	3
Purga de Fondo	in	1	1	1	1	1	1	1	1	1 1/4	1 1/4	1 1/4	1 1/4	1 1/4	1 1/4	1 1/4	1 1/4	1 1/4	1 1/4	1 1/4	1 1/4
Purga de columna de Nivel	in	3/4	3/4	3/4	3/4	3/4	3/4	3/4	3/4	3/4	3/4	3/4	3/4	3/4	3/4	3/4	3/4	3/4	3/4	3/4	3/4
Purga de Superficie	in	3/4	3/4	3/4	3/4	3/4	3/4	3/4	3/4	3/4	3/4	3/4	3/4	3/4	3/4	3/4	3/4	3/4	3/4	3/4	3/4

BASES DE CIMENTACIÓN		80	100	125	150	200	250	300	350	400	500	600	700	800	900	1000	1100	1200	1300	1400	1500
A Ancho Total de las Bases de cimentación	m	1.84	1.86	1.96	2.04	2.18	2.35	2.48	2.48	2.60	2.70	2.86	2.95	3.11	3.17	3.19	3.23	3.27	3.31	3.34	3.34
B Espacio entre Bases de cimentación	m	1.24	1.26	1.36	1.44	1.58	1.75	1.88	1.88	2.00	2.10	2.26	2.35	2.51	2.57	2.39	2.43	2.47	2.50	2.50	2.50
C Ancho de cada Base de cimentación	m	0.30	0.30	0.30	0.30	0.30	0.30	0.30	0.30	0.30	0.30	0.30	0.30	0.30	0.30	0.42	0.42	0.42	0.42	0.42	0.42
D Largo de las Bases de cimentación	m	3.20	3.47	3.67	3.73	4.18	4.41	4.51	5.72	5.87	6.31	6.74	7.38	7.38	7.38	7.43	7.43	7.43	7.45	7.48	7.67
E Altura de las Bases de cimentación	m	0.20	0.20	0.20	0.20	0.20	0.20	0.20	0.20	0.20	0.20	0.20	0.20	0.20	0.20	0.20	0.20	0.20	0.20	0.20	0.20