

# Powermaster SWB-HW

## Semi Wet Back Three Pass Hot Water Boilers

Maximum allowable working pressure 100 psig



### Technical Specifications

#### MODEL BHP

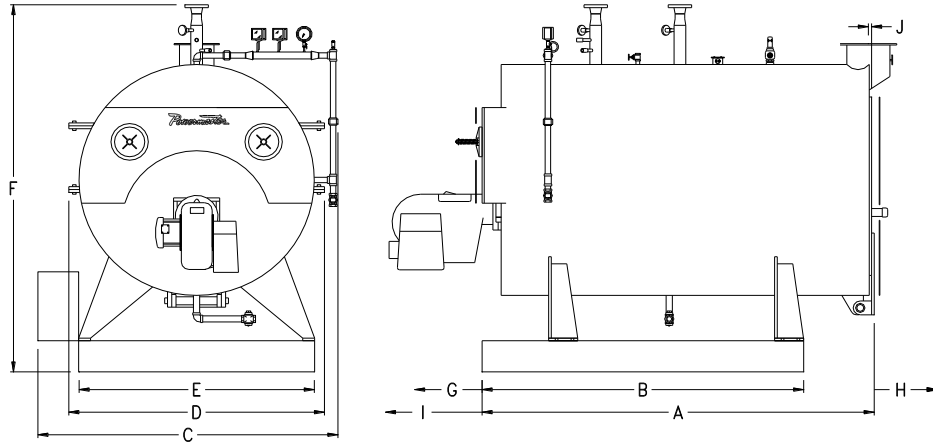
NOMINAL CAPACITIES		10	15	20	25	30	40	50	60
Heating Output	MBH	335	502	670	837	1,004	1,339	1,674	2,009
Heating Output	KW	98	147	196	245	294	392	490	589
Heating Output	Mcal/hr	84	127	169	211	253	337	422	506

#### FIRING RATE FOR BURNER SELECTION\*

No. 2 Oil - Diesel ( 140,000 BTU/gal )	gal/hr	3.0	4.5	6.0	7.5	9.0	12.0	14.9	17.9
Natural Gas ( 1,000 BTU/ft <sup>3</sup> )	ft <sup>3</sup> /hr	418	628	837	1,046	1,255	1,674	2,092	2,511
LP Gas ( 91,500 BTU/gal )	gal/hr	4.6	6.9	9.1	11.4	13.7	18.3	22.9	27.4

#### WEIGHTS

Empty Boiler	lb	2,529	2,595	3,194	3,316	4,154	4,738	5,556	6,102
Flooded Boiler	lb	4,425	4,458	5,825	5,889	7,306	8,298	10,333	11,321



DIMENSIONS		10	15	20	25	30	40	50	60
A	Boiler Length	ft	6.20	6.20	7.32	7.32	7.48	8.43	10.20
B	Base Length	ft	4.89	4.89	5.28	5.28	5.51	6.76	8.17
C	Total Width	ft	5.51	5.51	5.71	5.71	6.23	6.50	6.50
D	Limit Width**	ft	3.67	3.67	3.87	3.87	4.40	4.72	5.02
E	Base Width	ft	3.67	3.67	3.87	3.87	4.40	4.40	4.69
F	Total Height (to HW outlet flanges)	ft	6.27	6.27	6.46	6.46	6.96	6.96	7.25
G	Front access clearance for maintenance	ft	1.84	1.84	1.94	1.94	2.20	2.20	2.33
H	Back access clearance for maintenance	ft	2.76	2.76	2.92	2.92	3.61	3.61	3.74
I	Front flux tubes exchange clearance	ft	4.92	4.92	6.04	6.04	5.81	6.76	8.23
J	Smoke stack center to back of boiler	ft	0.30	0.23	0.23	0.16	0.16	0.13	0.13

CONNECTIONS		10	15	20	25	30	40	50	60
Smoke Stack Diameter	in	6	8	8	9	9	10	10	10
Hot Water Outlet to Circuit Diameter	in	2 1/2	2 1/2	2 1/2	2 1/2	2 1/2	2 1/2	2 1/2	3
Hot Water Inlet from Circuit Diameter	in	2 1/2	2 1/2	2 1/2	2 1/2	2 1/2	2 1/2	2 1/2	3
Air Purge Diameter	in	1/2	1/2	1/2	1/2	1/2	1/2	1/2	1/2
Bottom Drain Diameter	in	1	1	1	1	1	1	1 1/4	1 1/4
Maximum Safety Valves Output Diameter	in	3/4	3/4	3/4	3/4	3/4	3/4	3/4	3/4

FOUNDATION BASES		10	15	20	25	30	40	50	60
Total width of base	ft	4.40	4.40	4.59	4.59	5.12	5.12	5.41	5.41
Distance between bases	ft	2.43	2.43	2.62	2.62	3.15	3.15	3.44	3.44
Width of each bases	ft	0.98	0.98	0.98	0.98	0.98	0.98	0.98	0.98
Length of bases	ft	5.54	5.54	5.94	5.94	6.17	7.41	8.07	8.83
Height of bases	ft	0.66	0.66	0.66	0.66	0.66	0.66	0.66	0.66

Termodinámica Enica S.A. de C.V. TEN-840430-465  
 Av. Dr. Jiménez Cantú Lote 2.5 s/n, Plaza Antigua Edif 3 Ofna. 3-16  
 Atizapán de Zaragoza, Edo. de México, CP. 52937  
 T. +52(55) 5393 5711 - F. +52(55) 5393 9607

\* The actual firing rate depends on fuel quality, burner selection and adjustment, combustion controls, operating pressure, etc. For an estimated calculation of a specific configuration contact your Powermaster salesman.

Date: MAY 24, 2016  
 Creator: LN  
 Revision: SZ

\*\* Width for freight clearance

Powermaster Boilers reserves the right to make modifications to this sheet without notice. All dimensions are approximate and indicative only.