

# Powermaster Series VT3

## Two Pass Vertical Boilers

Maximum allowable working pressure 15 psig



### Boiler Data Sheet

#### MODEL BHP

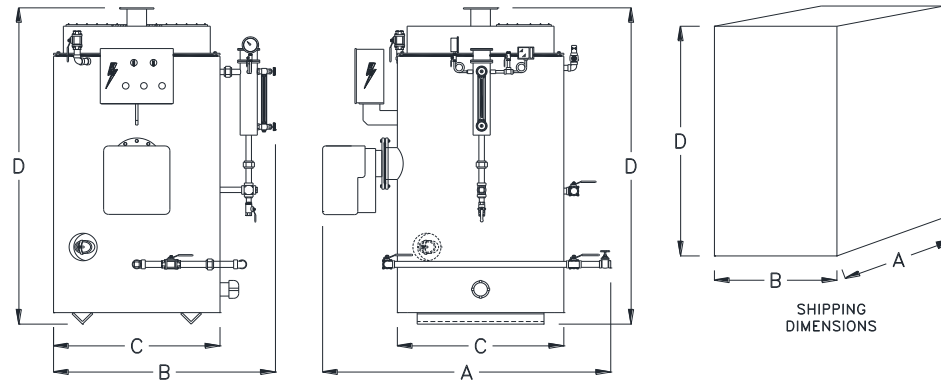
NOMINAL CAPACITIES		5	10	15	20	25	30	35	40	50	60
Steam generation from and at 212 °F & 1 atm	lb/hr	173	345	518	690	863	1,035	1,208	1,380	1,725	2,070
Heating Surface	SQFT	35	35	70	70	105	105	140	140	210	210
Boiler Output	MBH	167	335	502	670	837	1,004	1,172	1,339	1,674	2,009

#### FIRING RATE FOR BURNER SELECTION\*

Natural Gas ( 1,000 BTU/ft3 )	ft3/hr	209	418	628	837	1,046	1,255	1,465	1,674	2,092	2,511
LP Gas ( 91,500 BTU/gal )	gal/hr	2.3	4.6	6.9	9.1	11.4	13.7	16.0	18.3	22.9	27.4

#### WEIGHTS

Empty Boiler	lb	2,004	2,004	2,967	2,967	4,050	4,050	5,201	5,201	7,597	7,597
Flooded Boiler	lb	2,590	2,590	3,940	3,940	5,501	5,501	7,094	7,094	10,238	10,238



DIMENSIONS		5	10	15	20	25	30	35	40	50	60
A Boiler Length	ft	5.25	5.25	6.23	6.23	6.89	6.89	8.63	8.63	9.55	9.55
B Total Width	ft	3.97	3.97	4.66	4.66	5.35	5.35	5.91	5.91	6.82	6.82
C Limit Width**	ft	2.69	2.69	3.38	3.38	4.07	4.07	4.63	4.63	5.54	5.54
D Total Height	ft	5.71	5.71	6.30	6.30	6.40	6.40	6.59	6.59	6.76	6.76

#### CONNECTIONS

Smoke Stack Diameter	in	6	6	8	8	9	9	10	10	10	10
Main steam outlet diameter	in	1 1/2	1 1/2	2 1/2	2 1/2	3	3	3	3	4	4
Boiler feedwater diameter	in	1	1	1	1	1 1/4	1 1/4	1 1/4	1 1/4	1 1/4	1 1/4
Water Softener feedwater diameter	in	3/4	3/4	3/4	3/4	3/4	3/4	3/4	3/4	3/4	3/4
Bottom blowdown diameter	in	1	1	1	1	1	1	1	1	1 1/4	1 1/4
Level Control blowdown diameter	in	1	1	1	1	1	1	1	1	1	1

Termodinámica Enica S.A. de C.V. TEN-840430-41  
 Av. Dr. Jiménez Cantú Lote 2.5 s/n, Plaza Antigua Edif 3 Ofna. 3-16  
 Atizapán de Zaragoza, Edo. de México, CP. 52937  
 T. +52(55) 5393 5711 ~ F. +52(55) 5393 9607

\* The actual firing rate depends on fuel quality, burner selection and adjustment, combustion controls, operating pressure, etc. For an estimated calculation of a specific configuration contact your Powermaster salesman.

\*\* Width for freight clearance

Date: JUL 19, 2024  
 Creator: SZ  
 Revision: LN

Powermaster Boilers reserves the right to make modifications to this sheet without notice. All dimensions are approximate and indicative only.