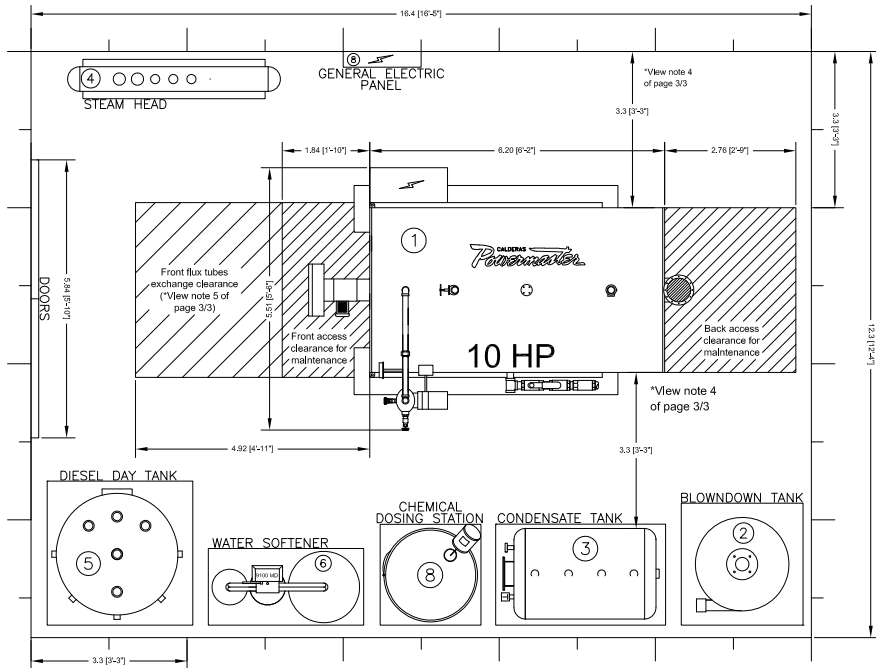


All dimensions are approximate, for exact dimensions contact your dealer.




EQUIPMENTS FOR STEAM GENERATION

- ① Steam Powermaster Boiler SWB 10 HP
- ② Blowdown Separator Tank TPG-40
- ③ Condensate Tank TCC-N30
- ④ Steam head *
- ⑤ Diesel day tank TT1-450 CB
- ⑥ Water softener PW2x1F 9100 MD/1
- ⑦ Chemical dosing station *
- ⑧ General electric panel *

Note: The LAYOUT shown here is typical. The geometry and minimum space required depends on the desired accommodation and purchased equipment. If you require a detailed LAYOUT of your budget, contact your dealer.

* Check dimensions with your dealer

		Termodinámica Enica S.A. de C.V. <small>Rd. Jorge Jiménez Castro s/n, Plaza Antigua Edif. 2.º y 3.º, Col. Hacienda de Valle Escobedo, Atlixpán de Zaragoza, Estado de México, C.P. 52071, T. 52-55 553 5244</small>	
		Powermaster SWB 10 HP	
MODEL: _____	PROJECT: _____	LAYOUT	FORNER: N/A
DRAWING: 1 / 2	FUEL: GAS, LIGHT OIL, DUAL	REVIEWED BY: _____	SALES DEPT.
DESIGNED BY: ING. J. CHAPARRO	SALES DEPT.	REVIEWED BY: _____	ING. J. NOTHOLT

Termodinámica Enica, S.A. de C.V. reserves the right to make changes to this drawing without notice

